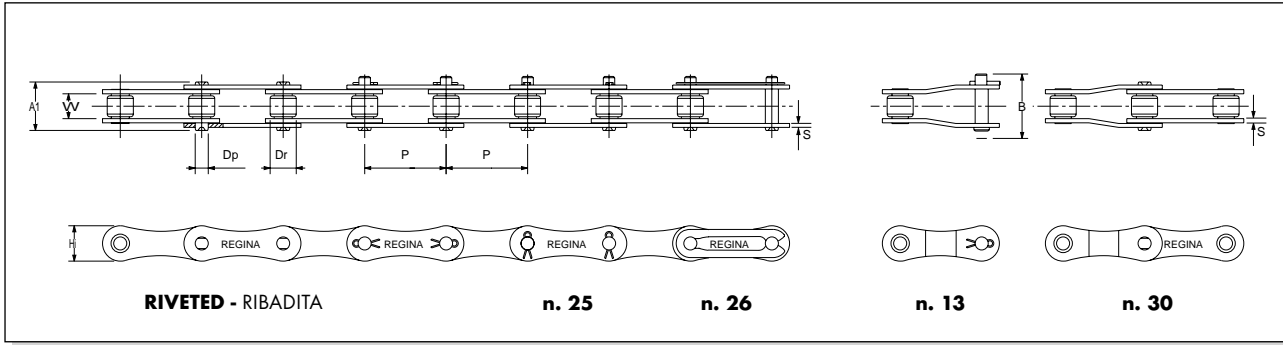


DOUBLE PITCH ROLLER CHAINS

CATENE A RULLI A PASSO LUNGO



Product Ranges • Gamme di prodotto

STD STANDARD DESIGN ACCORDING TO ISO/ANSI NORMS
CATENA STANDARD A NORMA ISO / ANSI

ISO N°	Regina Chain N° Codice Catena Regina	Product Range Gamma	Pitch Passo		Roller Diameter Diametro Rullo	Inside Width Larghezza interna	Plate / Piastra		Pin/Perno			Working Surface Superficie di lavoro	Measuring Load Carico di Misura	Min. Ulim. Strength Carico di rottura minimo	Avg. Ulim. Strength Carico di rottura medio	Avg. Weight Peso approx.	Standard loose parts Parti staccate standard	
			P	Dr			W	Hi	s	Dp	A1						B	Conn. Link Giunto
			mm	" inches	max mm	min mm	max mm	inner/outer mm	max mm	max mm	max mm	mm ²	N	kN	kN	Kg/m		
EUROPEAN SERIES SERIE EUROPEA																		
208 B	2126	STD	25,40	1	8,51	7,75	11,81	1,63/1,40	4,45	16,50	24,00	50	120	1780	18,60	0,52	25-26	13-30
210 B	2136	STD	31,75	1 1/4	10,16	9,65	14,73	1,63/1,53	5,08	19,10	27,00	69	200	22,00	24,50	0,58	25-26	13-30
212 B	540	STD	38,10	1 1/2	12,07	11,68	16,13	1,85/1,70	5,72	22,50	30,00	89	280	28,90	33,00	0,76	25	-
216 B	547	STD	50,80	2	15,88	17,02	21,08	3,80/3,00	8,28	34,60	46,00	210	500	60,00	63,35	1,69	25	-
220 B	552	STD	63,50	2 1/2	19,05	19,56	26,42	4,60/3,35	10,19	41,20	50,00	295	780	95,00	98,50	2,29	25	-
224 B	557	STD	76,20	3	25,40	25,40	33,40	6,15/4,60	14,63	53,40	65,00	550	1.110	160,00	166,80	4,4	25	-
228 B	562	STD	88,90	3 1/2	27,94	30,99	37,08	7,00/6,15	15,90	65,10	78,00	740	1.510	200,00	207,00	5,58	25	-
232 B	565	STD	101,60	4	29,21	30,99	42,29	7,00/6,15	17,81	65,00	78,00	810	2.000	250,00	279,20	5,72	25	-
AMERICAN SERIES SERIE AMERICANA																		
208 A	2040	STD	25,40	1	7,95	7,85	12,07	1,53	3,98	16,50	23,00	44	120	13,80	17,15	0,49	25	30
210 A	2050	STD	31,75	1 1/4	10,16	9,40	15,09	2,00	5,09	20,50	28,00	70	200	21,80	26,00	0,65	25	30
212 A	2060	STD	38,10	1 1/2	11,91	12,57	18,08	2,30	5,96	25,80	33,00	105	280	31,10	37,25	1,0	25	13

Any questions? Please contact us.

Morskate Aandrijvingen BV

Oosterveldsingel 47A
7558 PJ Hengelo (Ov)
The Netherlands

NL

T +31 (0)74 - 760 11 11
info@morskateaandrijvingen.nl
www.morskateaandrijvingen.nl

DE

T +49 692 - 222 34 95
info@morskateantriebstechnik.de
www.morskateantriebstechnik.de

EN

T +31 (0)74 - 760 11 11
info@morskatedrivetechnology.com
www.morskatedrivetechnology.com